




Genuine Spare Parts

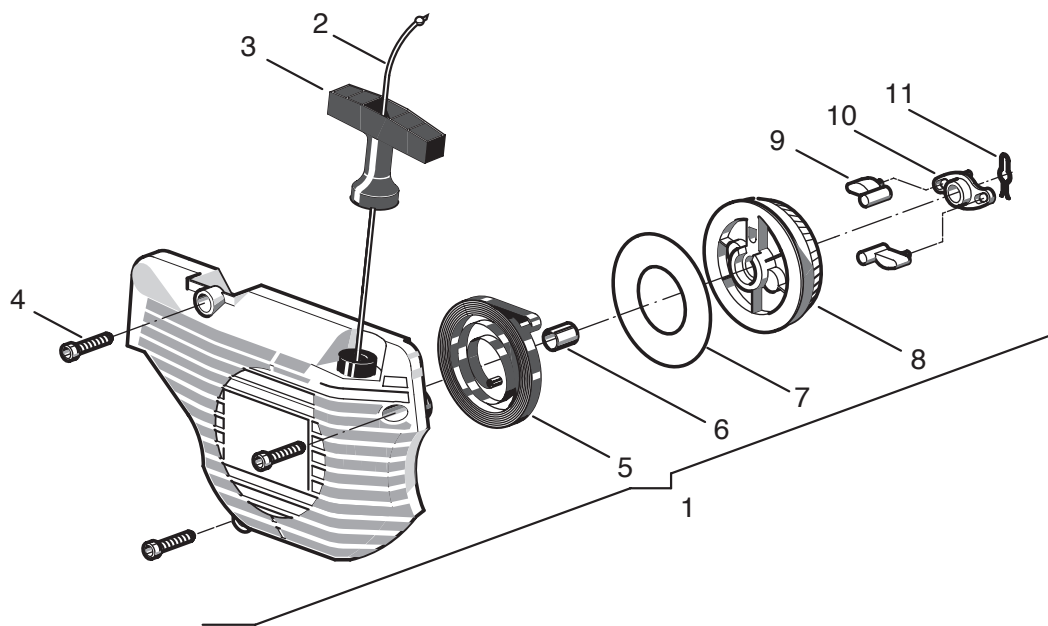


- Use GLOBAL GARDEN PRODUCT Genuine Spare Parts specified in the parts list for repair and/or replacement.
- GLOBAL GARDEN PRODUCT does not warrant the machines which have been damaged by the use of any parts other than those specified by the company.
- The contents described in the parts list may change due to improvement.
- The parts for the machine shall be supplied within 10 years after the machine is discontinued. (It's possible some specific parts may be subject to change of their delivery term and list price within the limit of 10 years after the machine is discontinued, and it is also possible which some parts may be available even after the limit of 10 years).

COPYRIGHT by GLOBAL GARDEN PRODUCTS

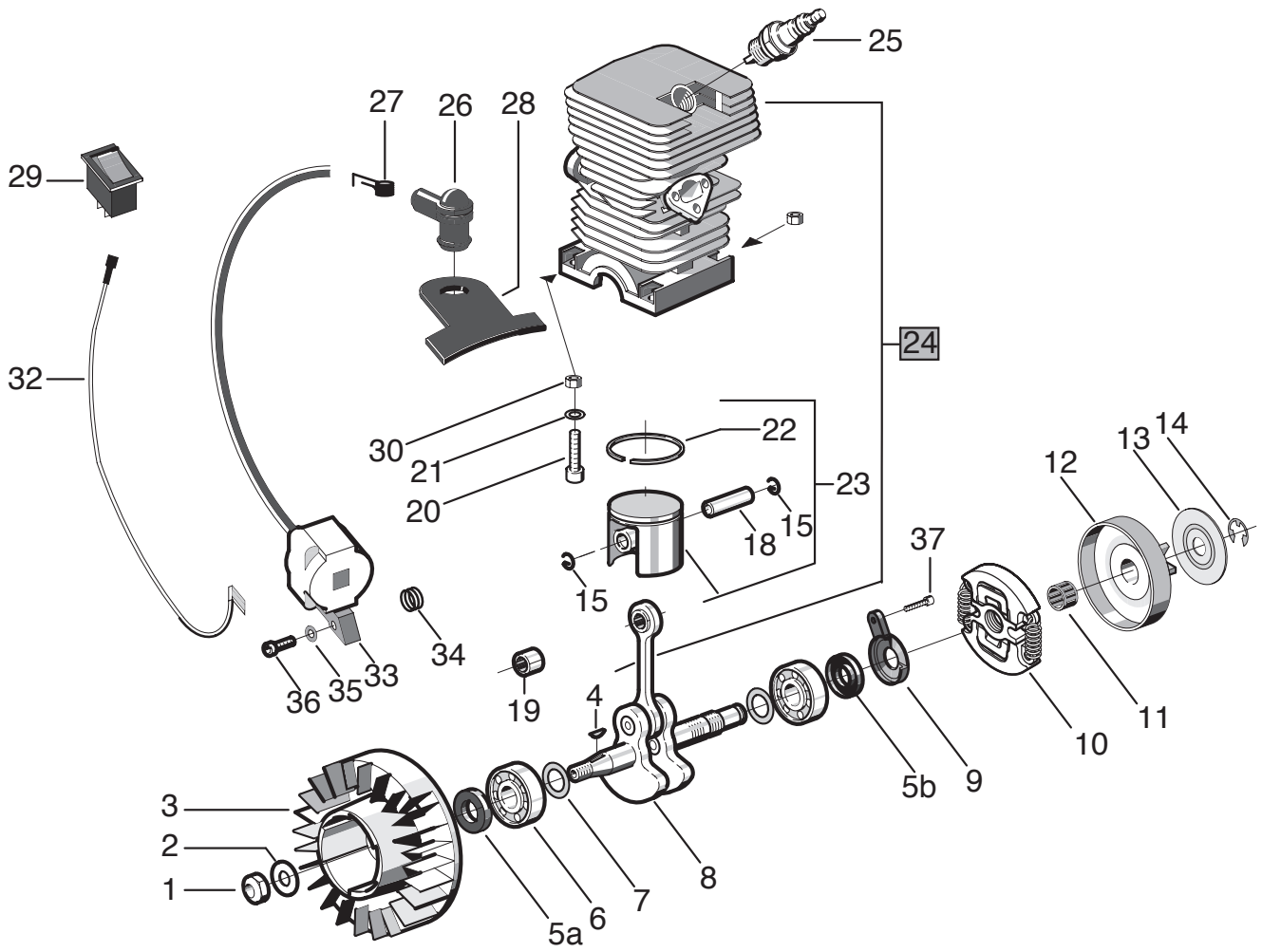
All rights reserved. No part of this material may be reproduced or transmitted, in any form or by any means, electronic or mechanical, including photocopying, recording or by any information storage and retrieval system, without permission in writing from GLOBAL GARDEN PRODUCTS.





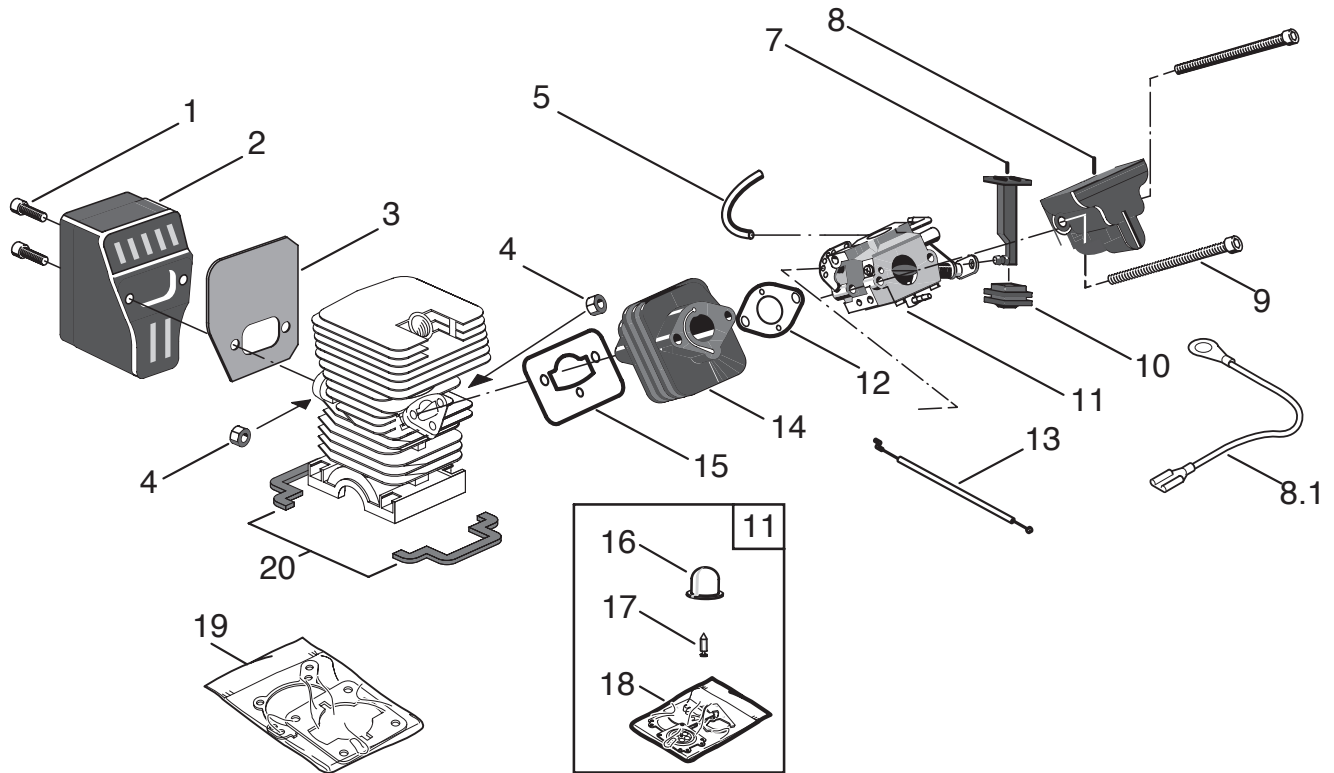
| N° | Codice Code | Q.tà Q.ty | Descrizione | Description |
|----|----------------|--------------|-----------------------------------|--------------------|
| 1 | 4252340 | 1 | Ass. carter avv. Giallo (2÷11) | Carter assy Yellow |
| 1 | 4252343 | 1 | Ass. carter avv. Rosso (2÷11) | Carter assy Red |
| 1 | 4252345 | 1 | Ass. carter avv. Arancio (2÷11) | Carter assy Orange |
| 1 | 4252348 | 1 | Ass. carter avv. Verde (2÷11) | Carter assy Green |
| 2 | 3784030 | 1 | Fune avviamento | Starter cord |
| 3 | 3750067 | 1 | Impugnatura avviamento | Starter handle |
| 4 | 2123030 | 3 | Vite Tctx 5x23 Autofilett. | Screw |
| 5 | 4611480 | 1 | Molla avviamento | Starter spring |
| 6 | 3623590 | 1 | Boccola | Bushing |
| 7 | 3723640 | 1 | Disco per molla avviamento | Disc |
| 8 | 3750130 | 1 | Puleggia avviamento | Starter pulley |
| 9 | 3750080 | 2 | Agganci avviamento | Starter hook |
| 10 | 3750140 | 1 | Guida agganci avviamento | Starter hook guide |
| 11 | 3657480 | 1 | Fermo | Retainer |

| N° | Codice Code | Q.tà Q.ty | Descrizione | Description |
|----|----------------|--------------|-------------|-------------|
|----|----------------|--------------|-------------|-------------|



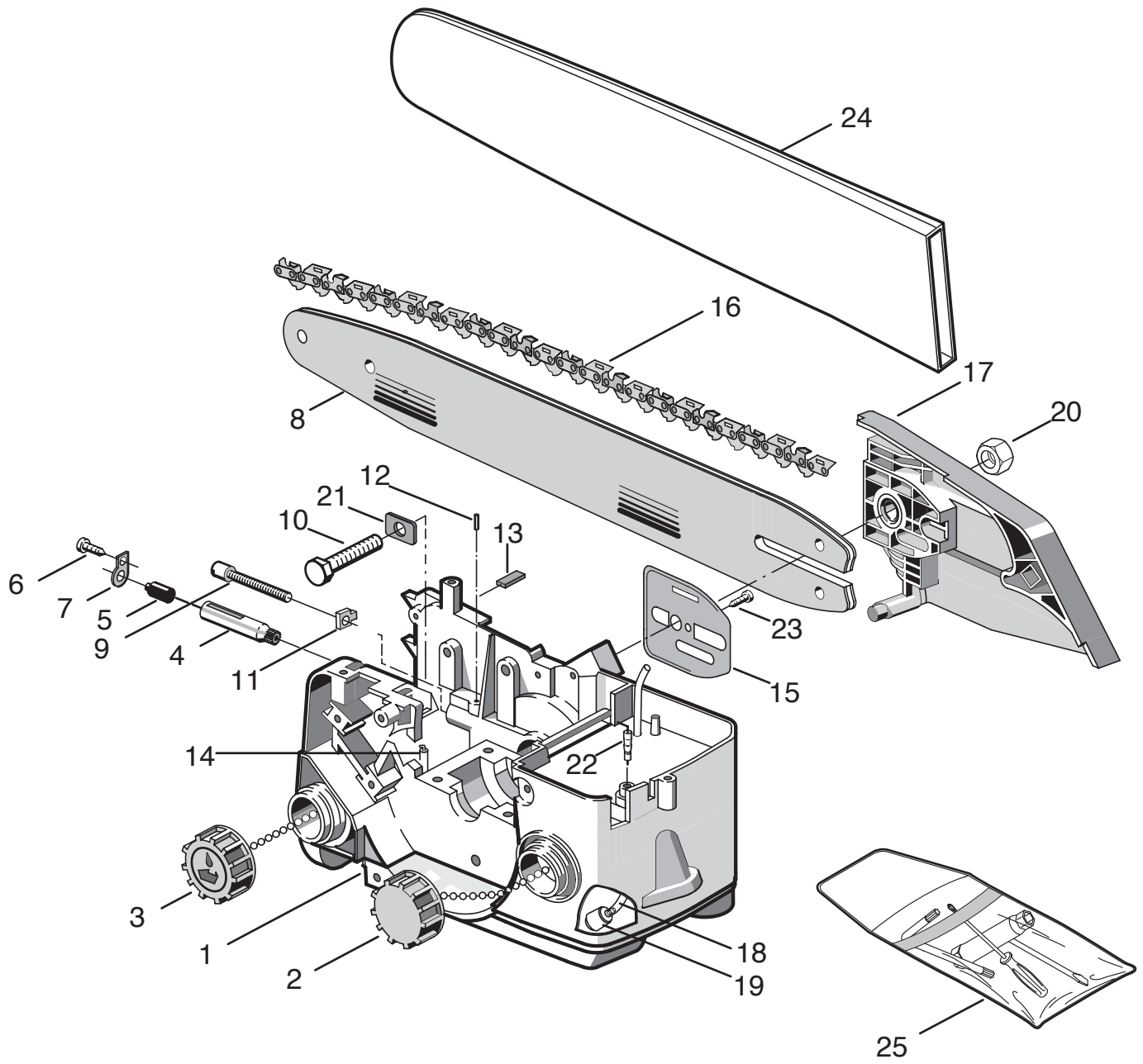
| N° | Codice Code | Q.tà Q.ty | Descrizione | Description |
|----|----------------|--------------|------------------------------------|------------------------------|
| 1 | 2432050 | 1 | Dado autobloccante M8 | Nut autoblock |
| 2 | 2312080 | 1 | Rosetta piana 8x11x1.5 | Washer |
| 3 | 4541210 | 1 | Volano magnete | Flywheel |
| 4 | 3151010 | 1 | Linguetta volano | Flywheel key |
| 5a | 3121071 | 1 | Anello di tenuta lato volano | Seal ring |
| 5b | 3121072 | 1 | Anello di tenuta lato frizione | Seal ring |
| 6 | 3112030 | 2 | Cuscinetto banco | Ball bearing |
| 7 | 3614480 | 2 | Rasamento albero motore | Washer |
| 8 | 4251960 | 1 | Ass.albero motore (inc.19) | Crankshaft (+19) |
| 9 | 3750311 | 1 | Coperchio parapolvere | Case |
| 10 | 4252200/1 | 1 | Ass.frizione | Clutch assy |
| 11 | 3114190 | 1 | Gabbia a rulli | Needle bearing |
| 12 | 4121208 | 1 | Campana frizione | Sprocket |
| 13 | 3612620 | 1 | Rosetta pignone | Sprocket washer |
| 14 | 3351110 | 1 | Fermo | Circlip |
| 15 | 3356050 | 2 | Anello fermo spinotto | Circlip |
| 18 | 3158260 | 1 | Spinotto pistone | Piston pin |
| 19 | 3116100 | 1 | Astuccio rulli | Needle bearing |
| 20 | 2135030 | 4 | Vite TX M5x20 | Screw |
| 21 | 2330020 | 4 | Rosetta | Washer |
| 22 | 3123220 | 1 | Fascia elastica d.39 | Piston ring |
| 23 | 8541360/1 | 1 | Ass. pistone Ø 39 (incl. 15,18,22) | Piston assy (incl. 15,18,22) |
| 24 | 8541370/1 | 1 | Ass. cilindro - pistone Ø 39 | Cylinder piston assy |
| 25 | 3210024 | 1 | Candela | Spark plug |
| 26 | 3748880 | 1 | Cappuccio candela | Spark plug cover |
| 27 | 3657050 | 1 | Molla attacco candela | Spring |
| 28 | 3721530 | 1 | Protezione | Protection |
| 29 | 3210970 | 1 | Interruttore stop | Switch |
| 30 | 2432040 | 4 | Dado autobloccante M5 | Nut autoblock |
| 32 | 3211380 | 1 | Cavo massa | Cable |
| 33 | 3211350/1 | 1 | Bobina elettronica | Electronic coil |
| 34 | 3654480 | 1 | Molla massa | Spring |
| 35 | 2321150 | 2 | Rosetta a tazza 5x12x0.8 | Washer |
| 36 | 2123140 | 2 | Vite TCTX 5x27 autofilett. | Screw |
| 37 | 2123020 | 1 | Vite TC 3,9x12,7 autofilett. | Screw |

| N° | Codice Code | Q.tà Q.ty | Descrizione | Description |
|----|----------------|--------------|-------------|-------------|
|----|----------------|--------------|-------------|-------------|



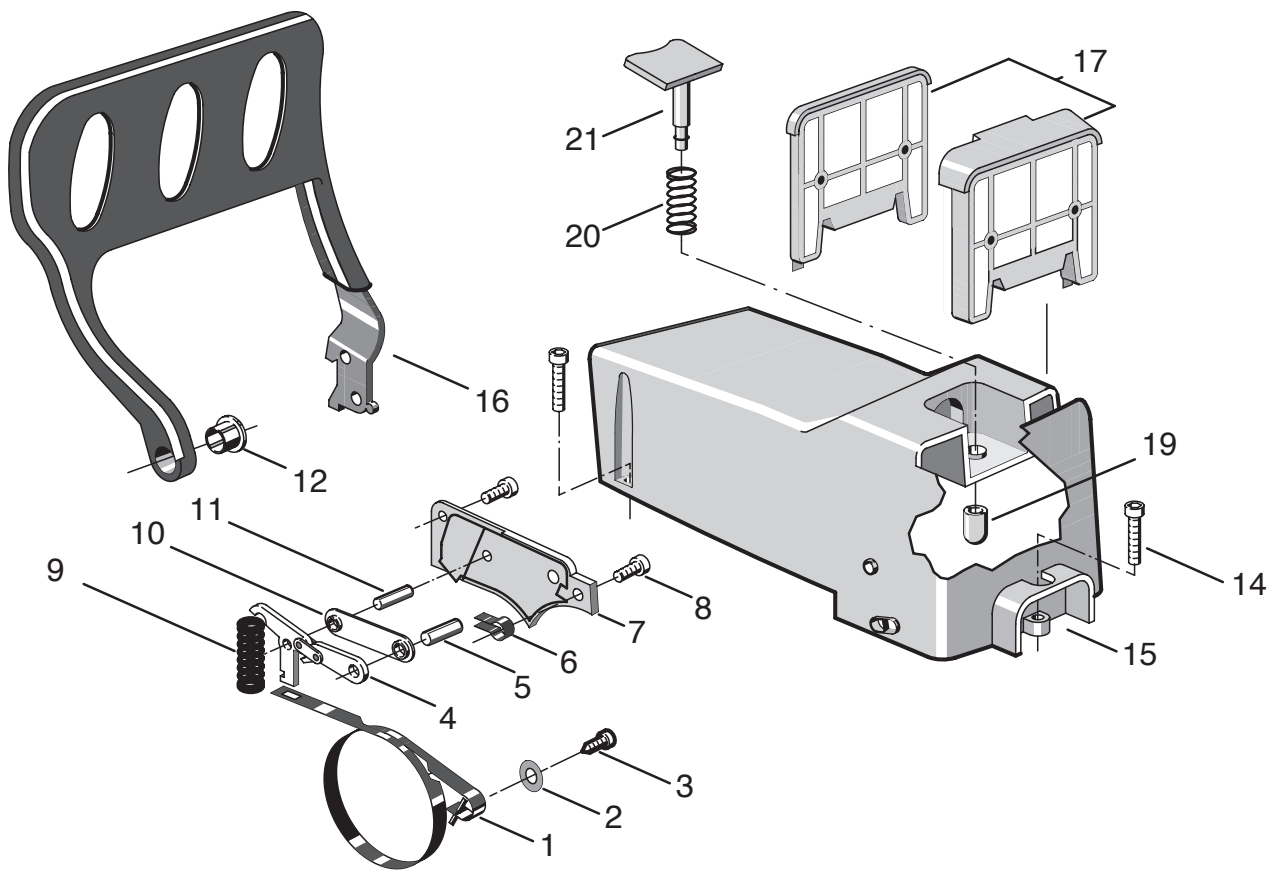
| N° | Codice Code | Q.tà Q.ty | Descrizione | Description |
|----|----------------|--------------|---------------------------------|----------------------------|
| 1 | 2135040 | 2 | Vite TX M5x18 | Screw |
| 2 | 4122040 | 1 | Ass. silenziatore | Muffler assy |
| 3 | 3724270 | 1 | Guarnizione silenziatore | Gasket |
| 4 | 2432040 | 2 | Dado autobloccante M5 | Nut autoblock |
| 5 | 3786130 | 1 | Tubo ricircolo miscela | Tube |
| 7 | 3743407 | 1 | Leva aria | Choke lever |
| 8 | 4353260 | 1 | Ass. collettore supporto filtro | Intake manifold ass.y |
| 9 | 2135210 | 2 | Vite TX M5x75 | Screw |
| 10 | 3745650 | 1 | Gommino leva aria | Grommet |
| 11 | 4253910 | 1 | Carburatore Walbro Wt 534 | Carburettor assy |
| 12 | 3724160 | 1 | Guarniz. dist. termic. coll.re | Heat block |
| 13 | 4252480 | 1 | Cavo accel.re c/guaina | Throttle cable with sheath |
| 14 | 3750180 | 1 | Collettore aspirazione | Intake manifold |
| 15 | 3724300 | 1 | Guarnizione coll.-cilindro | Gasket |
| 16 | 3744740 | 1 | Primer | Air purge pump |
| 17 | 3630680 | 1 | Valvola spillo | Inlet needle |
| 18 | 8724091 | 1 | Kit membrane - guarnizioni | Diaph. - Gasket set |
| 19 | 8724300 | 1 | Serie guarnizioni motore | Gasket set |
| 20 | 3721560 | 2 | Guarnizione cilindro | Cylinder gasket |

| N° | Codice Code | Q.tà Q.ty | Descrizione | Description |
|----|----------------|--------------|-------------|-------------|
|----|----------------|--------------|-------------|-------------|



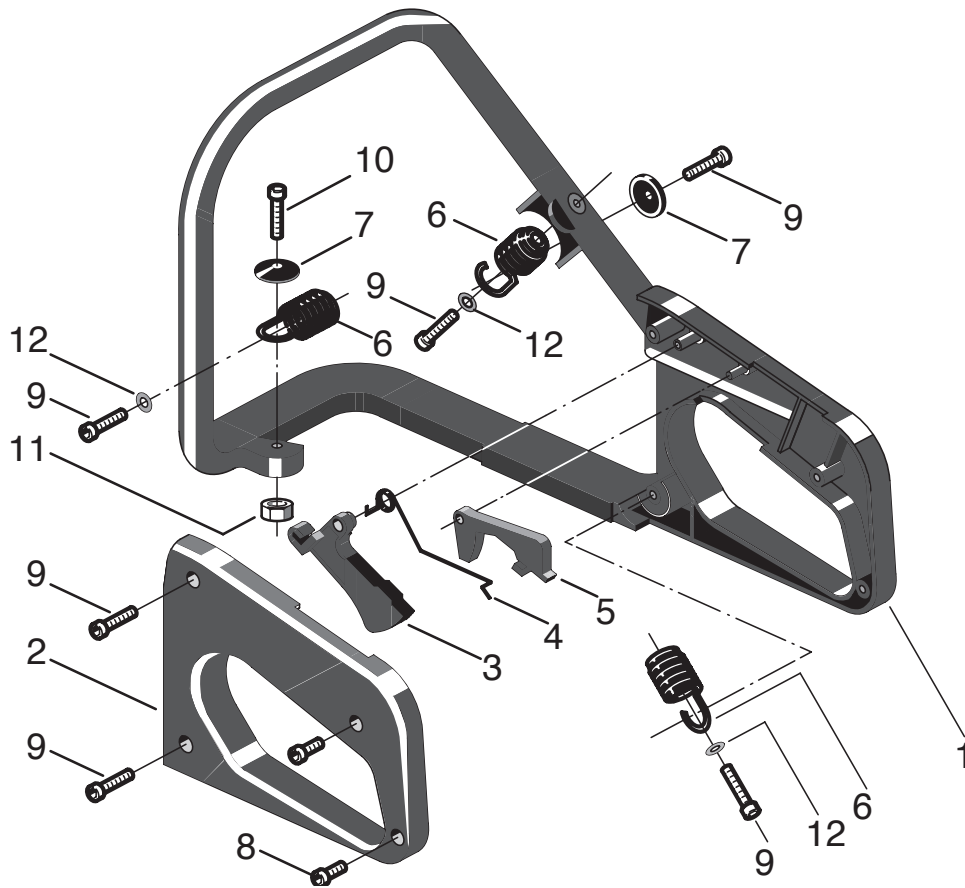
| N° | Codice Code | Q.tà Q.ty | Descrizione | Description |
|----|----------------|--------------|-------------------------------------|-------------------------|
| 1 | 4122051/1 | 1 | Ass.carter mot.grigio (in.12-14-22) | Crankcase Grey Assy |
| 2 | 4252010 | 1 | Tappo Mix | Cap fuel tank |
| 3 | 4252010 | 1 | Tappo olio | Cap oil tank |
| 4 | 4252220 | 1 | Ass.pompa olio diam. 8mm | Oil pump assy diam.8 |
| 4 | 4252221 | 1 | Ass.pompa olio diam. 9mm | Oil pump assy diam.9 |
| 5 | 3744790 | 1 | Gommino fermo corpo pompa | Spacer |
| 6 | 2123020 | 2 | Vite TCC 3,9 X 12,7 autofilettante | Screw |
| 7 | 3614810 | 1 | Lamierino x Gomm. Fermo Pompa | Retainer |
| 8 | 4112560 | 1 | Barra 14" 35cm 3/8" 1,3 | Guide bar 14" |
| 8 | 4112570 | 1 | Barra 16" 40 cm 3/8" 1,3 | Guide bar 16" |
| 9 | 2653470 | 1 | Vite tendicatena | Screw |
| 10 | 2112550 | 1 | Vite Barra TE M8x35 | Screw |
| 11 | 3641970 | 1 | Tassello tendicatena | Chain tightener block |
| 12 | 3741360 | 1 | Tappo / mandata olio | Oil supply cap |
| 13 | 3614940 | 1 | Inserito rinforzo base barra | Insert |
| 14 | 4253090 | 1 | Ass. tubo sfiato olio | Tube assy oil br. |
| 15 | 3614760 | 1 | Lamierino base barra | Bar plate |
| 16 | 4113301 | 1 | Catena 14" 50E 3/8" mini | Chain 14" 50E 3/8" mini |
| 16 | 4113311 | 1 | Catena 16" 56E 3/8" mini | Chain 16" 56E 3/8"mini |
| 17 | 4252330 | 1 | Ass.carter friz. Giallo (+20) | Clutch housing Yellow |
| 17 | 4252333 | 1 | Ass.carter friz. Rosso (+20) | Clutch housing Red |
| 17 | 4252335 | 1 | Ass.carter friz. Arancio (+20) | Clutch housing Orange |
| 17 | 4252338 | 1 | Ass.carter friz. Verde (+20) | Clutch housing Green |
| 18 | 3786050 | 1 | Tubo pescante mix | Fuel line |
| 19 | 4253290 | 1 | Ass. pescante miscela Walbro | Intake filter assy |
| 20 | 2670270 | 1 | Dado barra | Nut |
| 21 | 3614940 | 1 | Rinforzo vite barra | Bar screw reinforcement |
| 22 | 4253680 | 1 | Ass. valvola sfiato | Breather valve ass.y |
| 23 | 2123060 | 1 | Vite TC 3,9x9,5 autofil | Self tapping screw |
| 24 | 4181297 | 1 | Copribarra x barra 14" | Chain Cover 14" |
| 24 | 4181307 | 1 | Copribarra x barra 16" | Chain Cover 16" |
| 25 | 4253402 | 1 | Busta dotazione | Envelope equip. |

| N° | Codice Code | Q.tà Q.ty | Descrizione | Description |
|----|----------------|--------------|-------------|-------------|
|----|----------------|--------------|-------------|-------------|



| N° | Codice Code | Q.tà Q.ty | Descrizione | Description |
|----|----------------|--------------|--------------------------------|-----------------------|
| 1 | 3614740 | 1 | Nastro freno c/spina | Brake band |
| 2 | 2312100 | 1 | Rosetta piana da 4x12x1,5 | Washer |
| 3 | 2123060 | 1 | Vite Tc 3,9x9,5 autof. | Screw |
| 4 | 4252310 | 1 | Ass.leve freno catena c/maglie | Chain brake lever |
| 5 | 3180500 | 1 | Rullino D.5x19,8 | Needle |
| 6 | 3614780 | 1 | Fermo | Circlip |
| 7 | 3750117 | 1 | Coperchio freno Grigio | Grey Cover |
| 8 | 2123100 | 2 | Vite TCTX 5X13 autofilettante | Screw |
| 9 | 3654420 | 1 | Molla freno catena | Spring |
| 10 | 3614490 | 1 | Lamierino freno | Plate |
| 11 | 3180510 | 1 | Rullino D.6x21,8 Din 5402 | Needle |
| 12 | 3614330 | 1 | Boccola x paramano lato sx | Hand guard bushing |
| 14 | 2123030 | 3 | Vite TCTX 5X23 autofilettante | Screw |
| 15 | 4252350 | 1 | Ass.copricilindro Giallo | Cylinder cover Yellow |
| 15 | 4252353 | 1 | Ass.copricilindro Rosso | Cylinder cover Red |
| 15 | 4252355 | 1 | Ass.copricilindro Arancio | Cylinder cover Orange |
| 15 | 4252358 | 1 | Ass.copricilindro Verde | Cylinder cover Green |
| 16 | 4563267 | 1 | Paramano c/inserto | Hand guard |
| 17 | 8781530 | 1 | Filtro aria | Air filter |
| 19 | 3750227 | 1 | Tappo pulsante primer | Air purge cap button |
| 20 | 3654430 | 1 | Molla pulsante primer | Spring |
| 21 | 3750217 | 1 | Pulsante primer | Air purge button |

| N° | Codice Code | Q.tà Q.ty | Descrizione | Description |
|----|----------------|--------------|-------------|-------------|
|----|----------------|--------------|-------------|-------------|



| N° | Codice Code | Q.tà Q.ty | Descrizione | Description |
|----|----------------|--------------|-------------------------------|--------------------------|
| 1 | 4563147 | 1 | Impugnatura-corrimano | Handle |
| 2 | 4563157 | 1 | Coperchio impugnatura | Handle cover |
| 3 | 3743587 | 1 | Leva acceleratore per cavo | Throttle lever for cable |
| 4 | 3654440/11 | | Molla leva acc./sicurezza | Spring |
| 5 | 3743597 | 1 | Leva sicurezza | Safety lever |
| 6 | 3654400 | 3 | Molla antivibrante MS | Spring |
| 7 | 3614800 | 2 | Rosetta x molla antivibrante | Washer |
| 8 | 2123100 | 3 | Vite TCTX 5X13 autofilettante | Screw |
| 9 | 2123031 | 6 | Vite TCTX 5X23 autofilettante | Screw |
| 10 | 2135040 | 1 | Vite TX M5x18 | Screw |
| 11 | 2432040 | 1 | Dado autobloccante M5 | Nut autoblock |
| 12 | 2312090 | 3 | Rosetta piana 5X10X1 | Washer |

| N° | Codice Code | Q.tà Q.ty | Descrizione | Description |
|----|----------------|--------------|-------------|-------------|
|----|----------------|--------------|-------------|-------------|