




Genuine Spare Parts

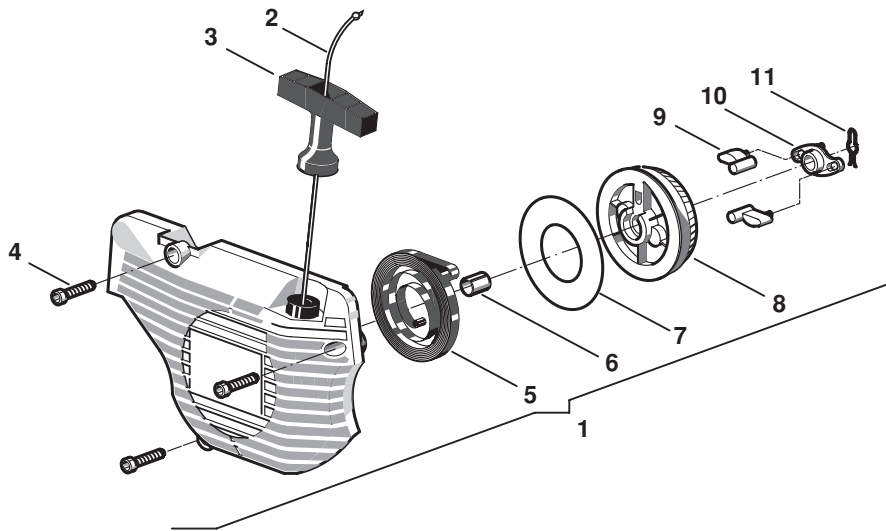


- Use GLOBAL GARDEN PRODUCT Genuine Spare Parts specified in the parts list for repair and/or replacement.
- GLOBAL GARDEN PRODUCT does not warrant the machines which have been damaged by the use of any parts other than those specified by the company.
- The contents described in the parts list may change due to improvement.
- The parts for the machine shall be supplied within 10 years after the machine is discontinued. (It's possible some specific parts may be subject to change of their delivery term and list price within the limit of 10 years after the machine is discontinued, and it is also possible which some parts may be available even after the limit of 10 years).

COPYRIGHT by GLOBAL GARDEN PRODUCTS

All rights reserved. No part of this material may be reproduced or transmitted, in any form or by any means, electronic or mechanical, including photocopying, recording or by any information storage and retrieval system, without permission in writing from GLOBAL GARDEN PRODUCTS.

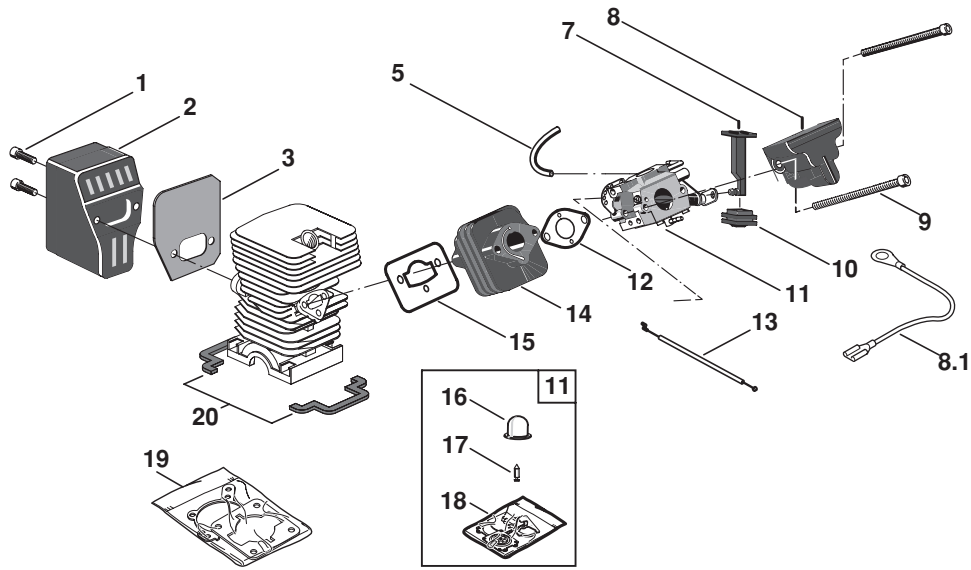




N°	Codice Code	Q.tà Q.ty	Descrizione	Description
----	----------------	--------------	-------------	-------------

1	4252340	1	Ass. carter avv. Giallo (2÷11)	Carter assy Yellow
1	4252343	1	Ass. carter avv. Rosso (2÷11)	Carter assy Red
2	3784030	1	Fune avviamento	Starter cord
3	3750067	1	Impugnatura avviamento	Starter handle
4	2123030	3	Vite Tctx 5x23 Autofilett.	Screw
5	4611480	1	Molla avviamento	Starter spring
6	3623590	1	Boccola	Bushing
7	3723640	1	Disco per molla avviamento	Disc
8	3750130	1	Puleggia avviamento	Starter pulley
9	3750080	2	Agganci avviamento	Starter hook
10	3750140	1	Guida agganci avviamento	Starter hook guide

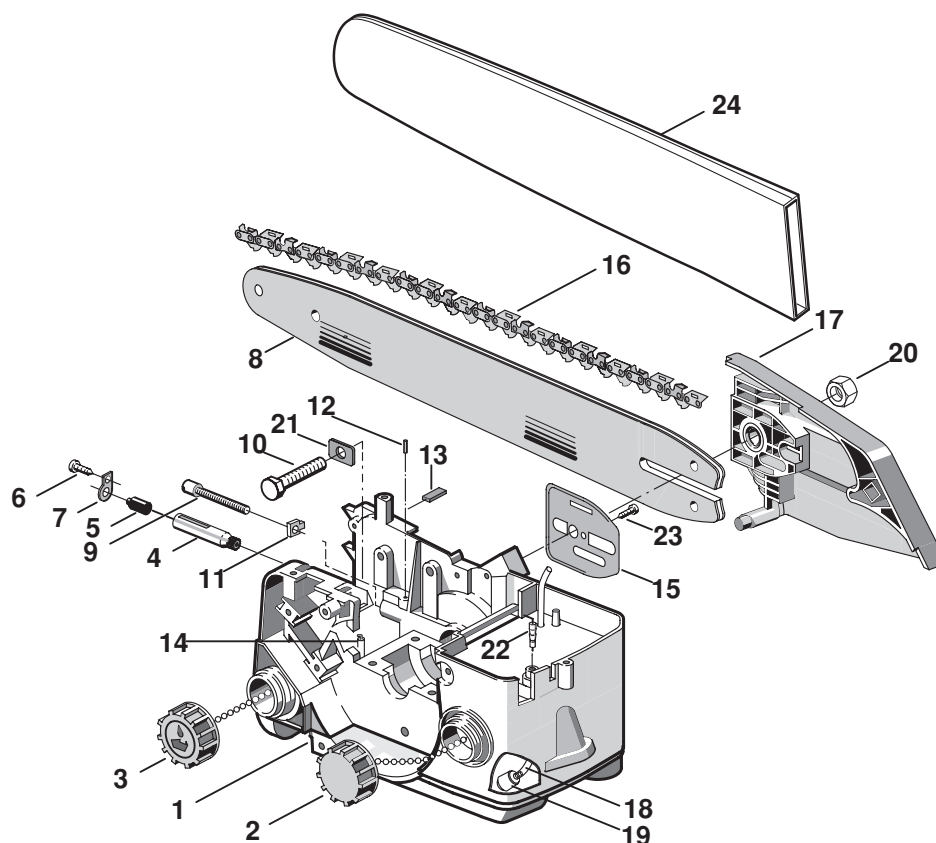
N°	Codice Code	Q.tà Q.ty	Descrizione	Description
----	----------------	--------------	-------------	-------------



N°	Codice Code	Q.tà Q.ty	Descrizione	Description
----	----------------	--------------	-------------	-------------

N°	Codice Code	Q.tà Q.ty	Descrizione	Description
----	----------------	--------------	-------------	-------------

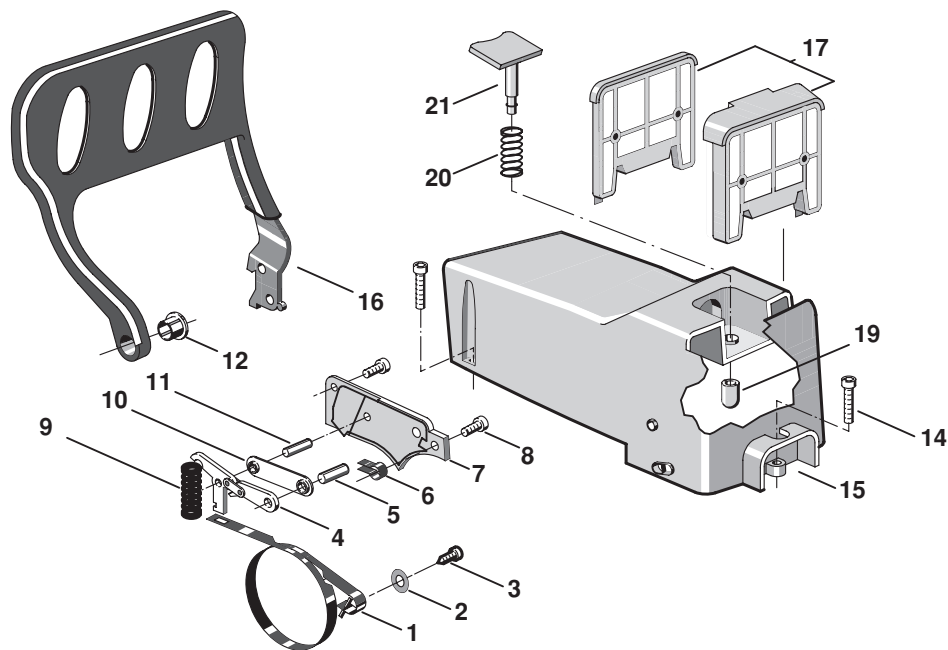
1	2135040	2	Vite TX M5x18	Screw
2	4122040	1	Ass. silenziatore	Muffler assy
3	3724270	1	Guarnizione silenziatore	Gasket
5	3786130	1	Tubo ricircolo miscela	Tube
7	3743407	1	Leva aria	Choke lever
8	8744781	1	Ass. collettore supporto filtro	Intake manifold ass.y
8.1	3211690	1	Cavo massa	Cable
9	2135210	2	Vite TX M5x75	Screw
10	3745650	1	Gommino leva aria	Grommet
11	4253910	1	Carburatore Walbro Wt 534	Carburettor assy
12	3724160	1	Guarniz. dist. termic. coll.re	Heat block
13	4252480	1	Cavo accel.re c/guaina	Throttle cable with sheath
14	3750180	1	Collettore aspirazione	Intake manifold
15	3724300	1	Guarnizione coll.-cilindro	Gasket
16	3744740	1	Primer	Air purge pump
17	3630680	1	Valvola spillo	Inlet needle
18	8724091	1	Kit membrane - guarnizioni	Diaph. - Gasket set
19	8724300	1	Serie guarnizioni motore	Gasket set
20	3721560	2	Guarnizione cilindro	Cylinder gasket



N°	Codice Code	Q.tà Q.ty	Descrizione	Description
----	----------------	--------------	-------------	-------------

N°	Codice Code	Q.tà Q.ty	Descrizione	Description
----	----------------	--------------	-------------	-------------

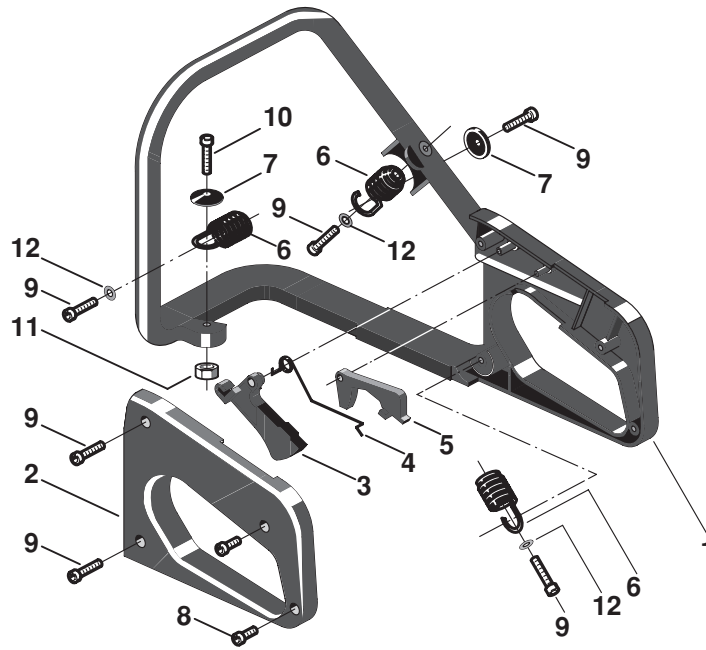
1	4122051/1	1	Ass.carter mot.grigio (in.12-14-22)	Crankcase Grey Assy
2	4252010	1	Tappo Mix	Cap fuel tank
3	4252010	1	Tappo olio	Cap oil tank
4	4252220	1	Ass.pompa olio diam. 8mm	Oil pump assy diam.8
5	3744790	1	Gommino fermo corpo pompa	Spacer
6	2123020	2	Vite TCC 3,9 X 12,7 autofilettante	Screw
7	3614810	1	Lamierino x Gom. Fermo Pompa	Retainer
8	23900202/0	1	Barra 14" 3/8" 1,3	Guide bar 14"
8	23900204/0	1	Barra 16" 3/8" 1,3	Guide bar 16"
9	2653470	1	Vite tendicatena	Screw
10	23878001/0	1	Vite Barra	Screw
11	3641970	1	Tassello tendicatena	Chain tightener block
12	3741360	1	Tappo / mandata olio	Oil supply cap
13	3614930	1	Inserto rinforzo base barra	Insert
14	4253090	1	Ass. tubo sfiato olio	Tube assy oil br.
15	3614760	1	Lamierino base barra	Bar plate
16	23920002/0	1	Catena 14" 50E 3/8" mini	Chain 14" 50E 3/8" mini
16	23920003/0	1	Catena 16" 56E 3/8" mini	Chain 16" 56E 3/8" mini
17	4252330	1	Ass.carter friz. Giallo (+20)	Clutch housing Yellow
17	4252333	1	Ass.carter friz. Rosso (+20)	Clutch housing Red
18	3786050	1	Tubo pescante mix	Fuel line
19	4253290	1	Ass. pescante miscela Walbro	Intake filter assy
20	2670270	1	Dado barra	Nut
21	23650100/0	1	Rinforzo vite barra	Bar screw reinforcement
22	4253680	1	Ass. valvola sfiato	Breather valve ass.y
23	2123060	1	Vite TC 3,9x9,5 autofil	Self tapping screw
24	4181297	1	Copribarra x barra 14"	Chain Cover 14"
24	4181307	1	Copribarra x barra 16"	Chain Cover 16"



N°	Codice Code	Q.tà Q.ty	Descrizione	Description
----	----------------	--------------	-------------	-------------

1	3614740	1	Nastro freno c/spina	Brake band
2	2312100	1	Rosetta piana da 4x12x1,5	Washer
3	2123060	1	Vite Tc 3,9x9,5 autof.	Screw
4	4252310	1	Ass. leve freno catena c/maglie	Chain brake lever
5	3180500	1	Rullino D.5x19,8	Needle
6	3614780	1	Fermo	Circlip
7	3750117	1	Coperchio freno Grigio	Grey Cover
8	2123100	2	Vite TCTX 5X13 autofilettante	Screw
9	3654420	1	Molla freno catena	Spring
10	3614490	1	Lamierino freno	Plate
11	3180510	1	Rullino D.6x21,8 Din 5402	Needle
12	3614330	1	Boccola x paramano lato sx	Hand guard bushing
14	2123030	3	Vite TCTX 5X23 autofilettante	Screw
15	4252350	1	Ass.copricilindro Giallo	Cylinder cover Yellow
15	4252353	1	Ass.copricilindro Rosso	Cylinder cover Red
16	4563267	1	Paramano c/inserto	Hand guard
17	8781530	1	Filtro aria	Air filter
19	3750227	1	Tappo pulsante primer	Air purge cap button
20	3654430	1	Molla pulsante primer	Spring
21	3750217	1	Pulsante primer	Air purge button

N°	Codice Code	Q.tà Q.ty	Descrizione	Description
----	----------------	--------------	-------------	-------------



N°	Codice Code	Q.tà Q.ty	Descrizione	Description
----	----------------	--------------	-------------	-------------

1	4563147	1	Impugnatura-corrimano	Handle
2	4563157	1	Coperchio impugnatura	Handle cover
3	3743587	1	Leva acceleratore per cavo	Throttle lever for cable
4	3654440/1	1	Molla leva acc./sicurezza	Spring
5	3743597	1	Leva sicurezza	Safety lever
6	3654400	3	Molla antivibrante MS	Spring
7	3614800	2	Rosetta x molla antivibrante	Washer
8	2123100	3	Vite TCTX 5X13 autofilettante	Screw
9	2123031	6	Vite TCTX 5X23 autofilettante	Screw
10	2135040	1	Vite TX M5x18	Screw
11	2432040	1	Dado autobloccante M5	Nut autoblock
12	2312090	3	Rosetta piana 5X10X1	Washer

N°	Codice Code	Q.tà Q.ty	Descrizione	Description
----	----------------	--------------	-------------	-------------